

# STAINLESS STEEL 316L

## PRESS FIT FITTINGS

### (M PROFILE)

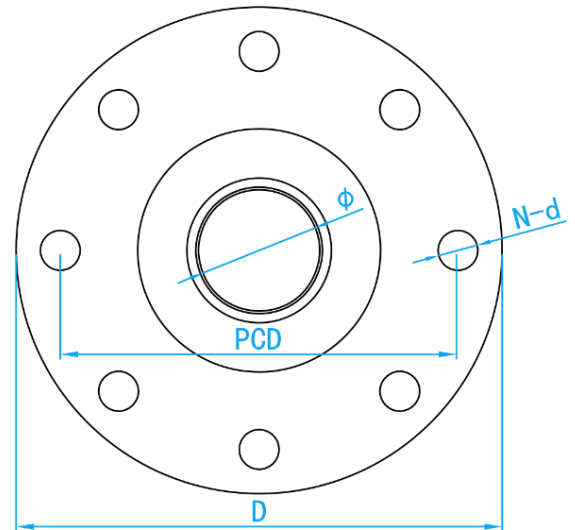
COMPLY WITH BSEN1254-2: 1998



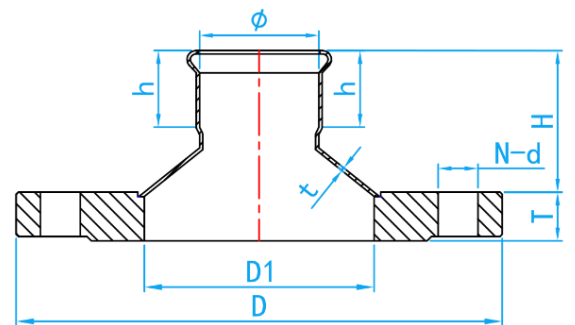
A Product of the nPressGuard® Solution



## PRESSFIT FLANGE REDUCE SOCKET



TOP VIEW



CROSS SECTIONAL VIEW

### STANDARD SPECIFICATION

|                     |                                    |
|---------------------|------------------------------------|
| Working Pressure    | 16 Bar                             |
| Working Temperature | 0 ~ 85°C                           |
| Applications        | Hot and cold potable water system. |

### DIMENSIONS

| SKU                | $\phi$<br>(mm) | D<br>(mm) | PCD<br>(mm) | D1<br>(mm) | NO.S OF<br>HOLS | d<br>(mm) | T<br>(mm) | H<br>(mm) | h<br>(mm) | t<br>(mm) | WEIGHT<br>(kg) |
|--------------------|----------------|-----------|-------------|------------|-----------------|-----------|-----------|-----------|-----------|-----------|----------------|
| SS316LPFNFLS06550  | 54             | 185       | 145         | 63         | 4               | 18        | 20        | 53        | 36        | 1.8       | 3.19           |
| SS316LPFNFLS08050  | 54             | 200       | 160         | 85         | 8               | 18        | 20        | 59        | 36        | 1.5       | 3.92           |
| SS316LPFNFLS08065  | 67             | 200       | 160         | 85         | 8               | 18        | 20        | 71        | 50        | 1.8       | 4.02           |
| SS316LPFNFLS100050 | 54             | 220       | 180         | 104        | 8               | 18        | 20        | 67        | 36        | 1.5       | 4.31           |
| SS316LPFNFLS100065 | 67             | 220       | 180         | 104        | 8               | 18        | 20        | 85        | 50        | 1.8       | 4.42           |
| SS316LPFNFLS100080 | 76             | 220       | 180         | 104        | 8               | 18        | 20        | 85        | 53        | 2.0       | 4.46           |
| SS316LPFNFLS150065 | 67             | 285       | 240         | 154        | 8               | 22        | 24        | 116       | 50        | 1.8       | 8.20           |
| SS316LPFNFLS150080 | 76             | 285       | 240         | 154        | 8               | 22        | 24        | 121       | 53        | 2.0       | 8.23           |
| SS316LPFNFLS150100 | 108            | 285       | 240         | 154        | 8               | 22        | 24        | 140       | 75        | 2.0       | 8.48           |